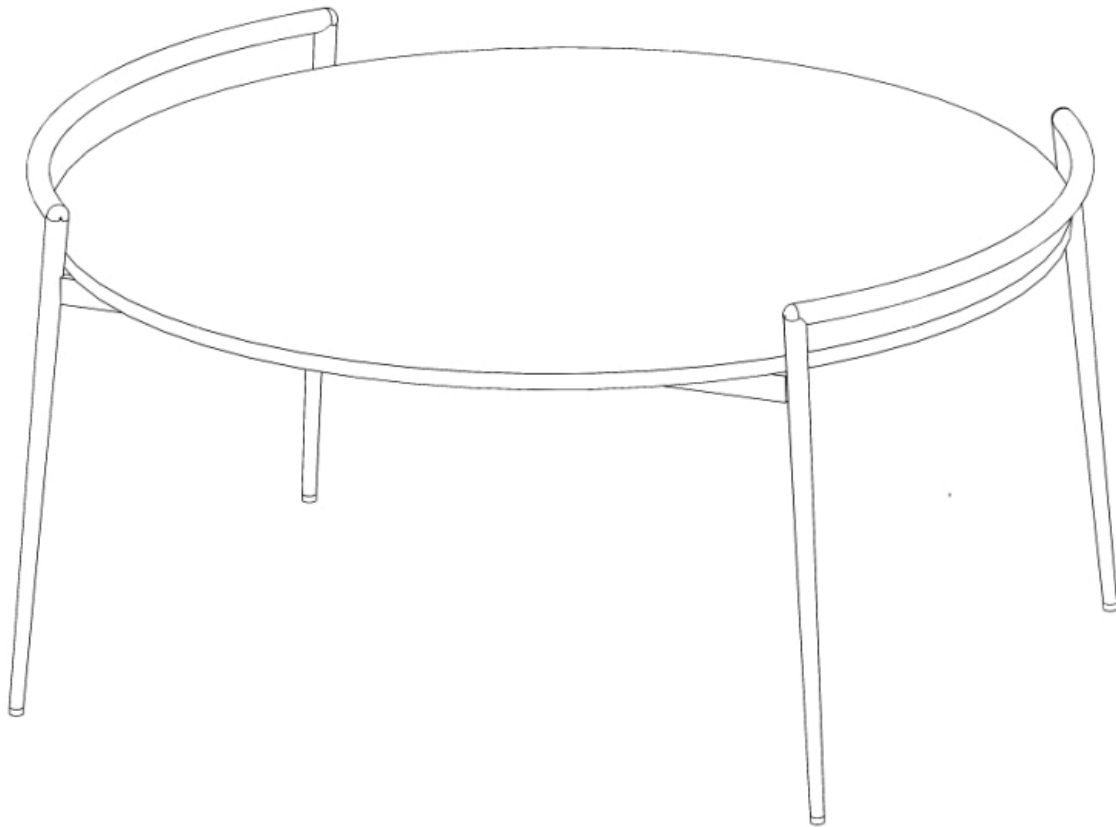


SAGE LIVING HOME & DÉCOR PRIVATE LTD


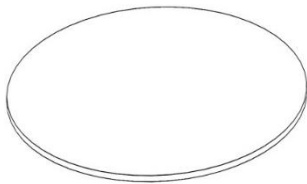

FORGED HANDLE COFFEE TABLE



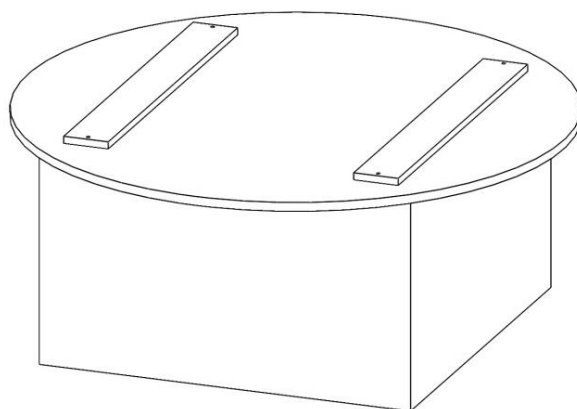
ASSEMBLY INSTRUCTIONS

- * Do not dispose any packaging or contents of the shipping carton until assembly is completed to avoid any accidentally discarding small parts or hardware.
- * For safety and ease of assembly, installation is recommended with the help of four people.
- * Keep the parts on a carpet or any soft surface while assembling to avoid scratches.
- * Kindly use gloves while assembling.

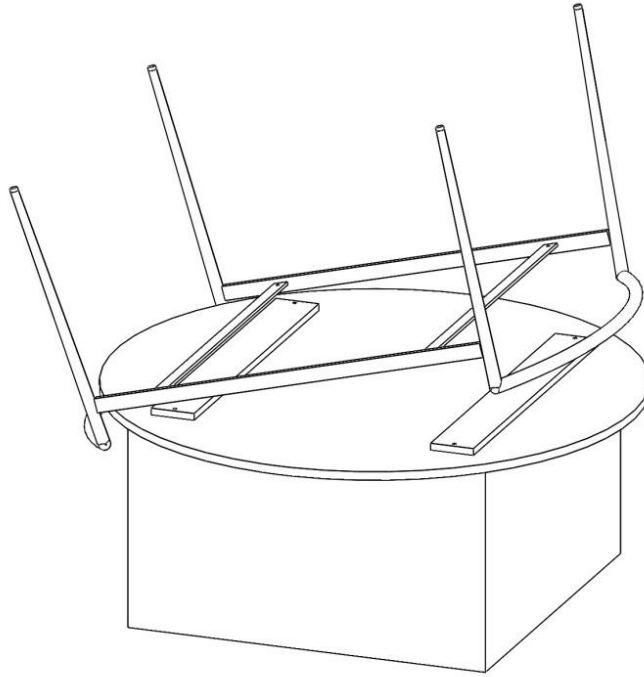
PARTS INCLUDED:-

No.	Item	Description	Qty
1		Base	01
2		Marble Top	01
3		Screw	4

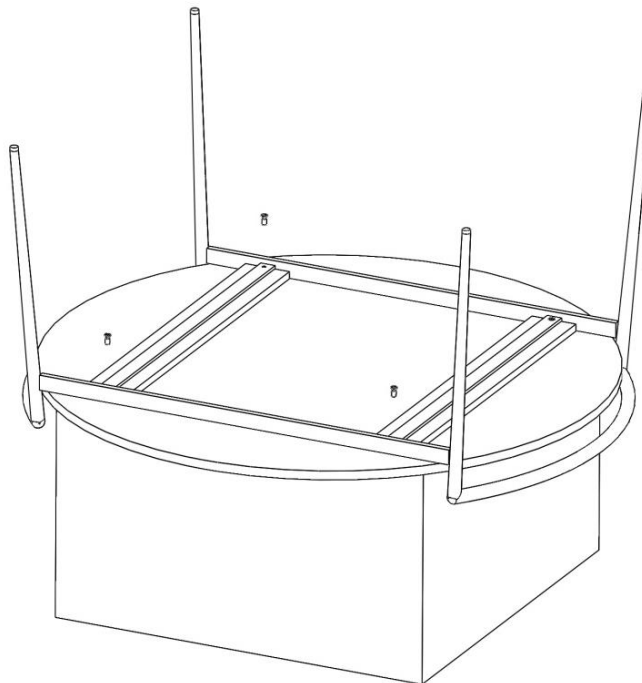
STEP 1: - Carefully unpack all the parts of the Forged Handle Coffee Table from the carton. Unpack the Marble Top carefully and place it inverted on a raised platform like a stool. Make sure to cover the platform with any cloth or soft surface to avoid scratches.



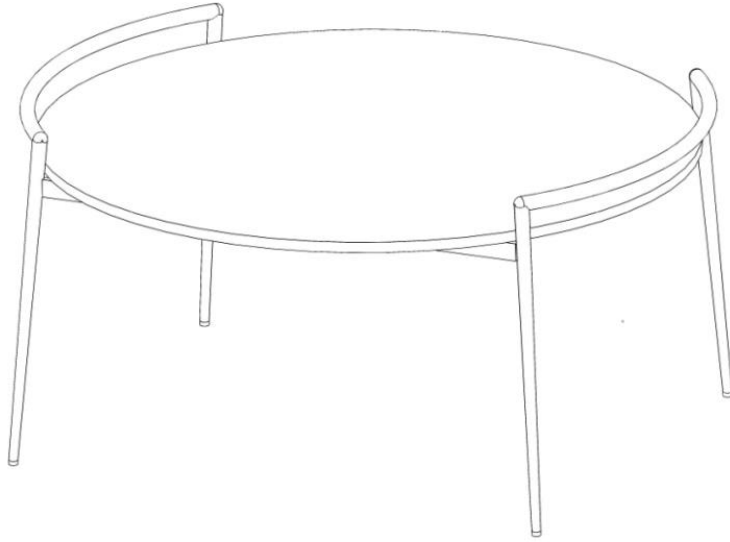
STEP 2: - Carefully lift the Base and place it inverted over the Marble Top. Align the holes on the Base with those of the Marble Top.



STEP 3: - Using the provided Screws fix the Base and the Marble Top together. Tighten all the screws with a screwdriver.



STEP 4:- Carefully lift the table and keep it upright. Forged Handle Coffee table is ready to use.



NOTE: Sage Living will not cover any damages that occur during installation.