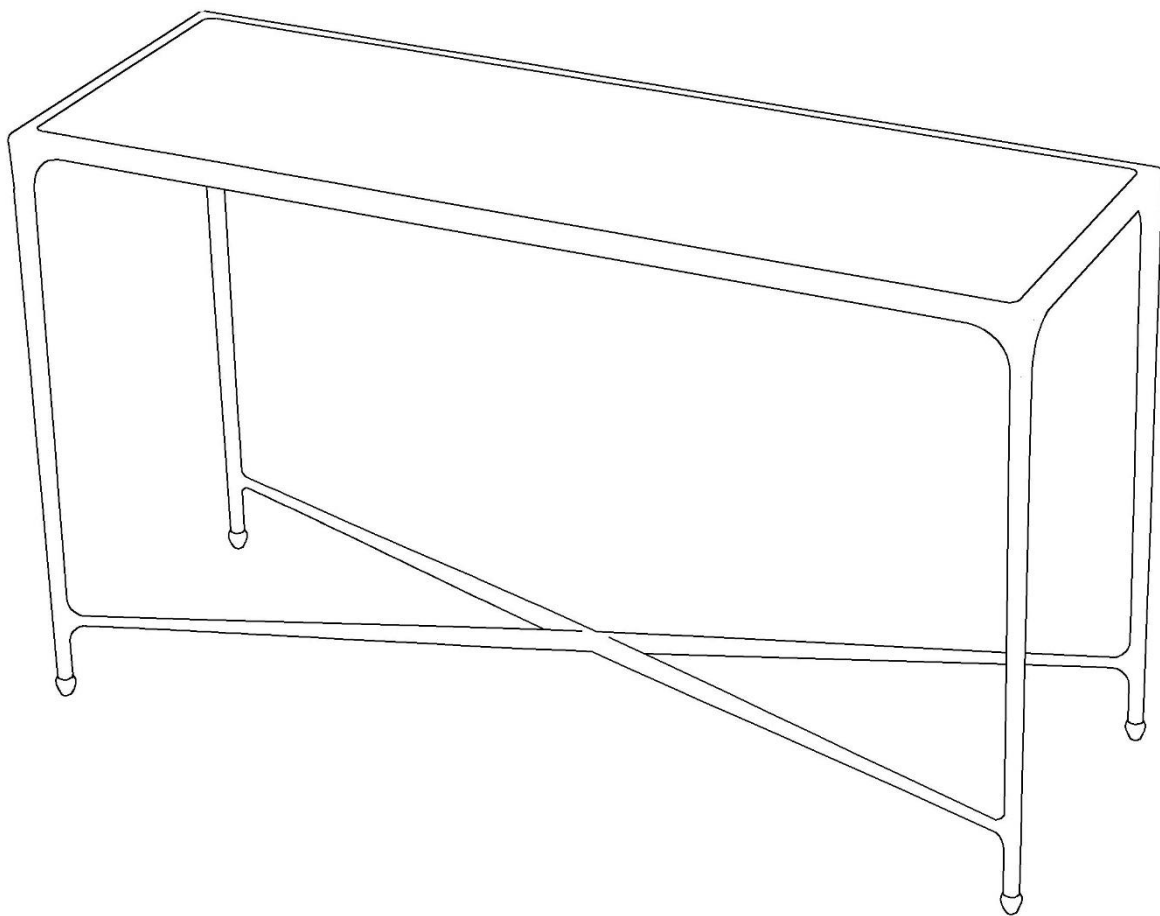




SAGE LIVING HOME & DÉCOR PRIVATE LTD

FORGED TRAS CONSOLE

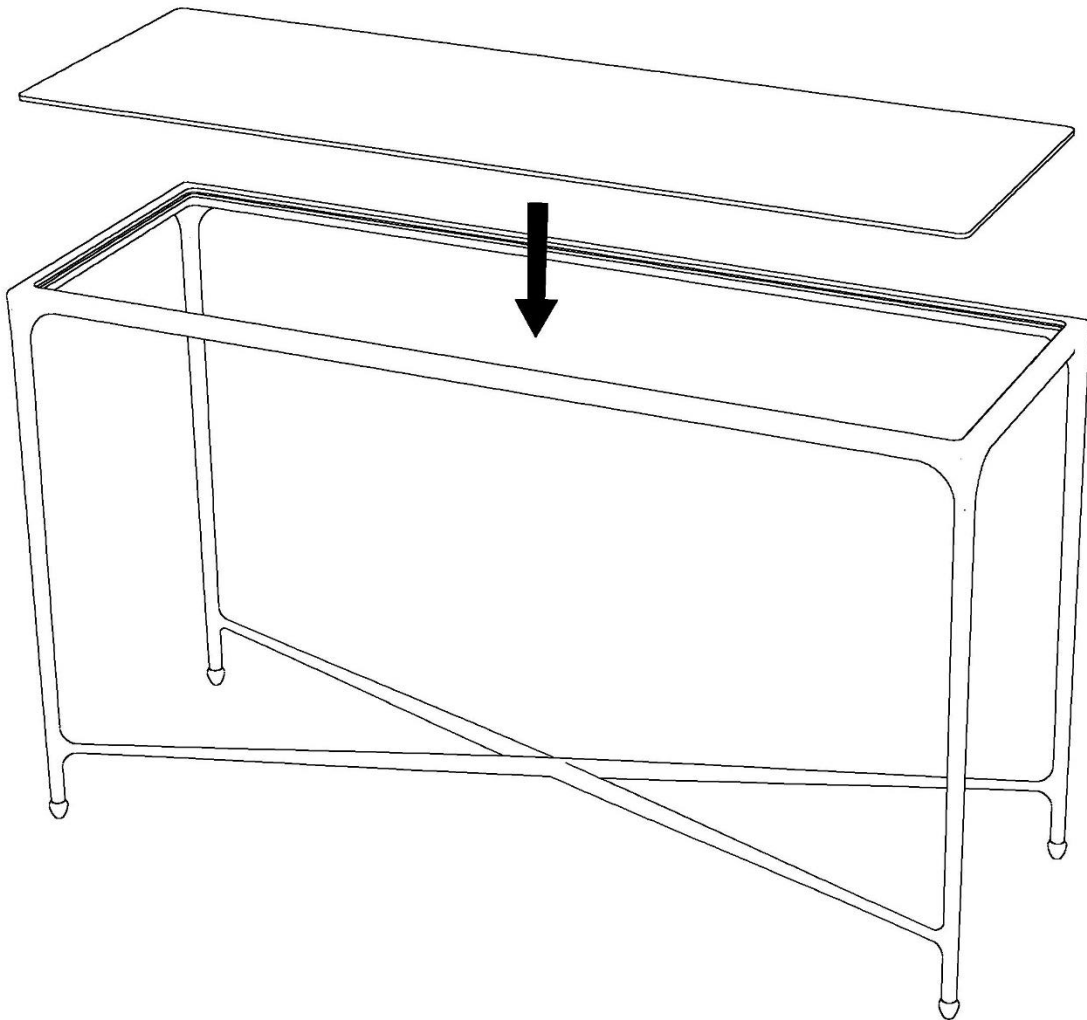


ASSEMBLY INSTRUCTIONS

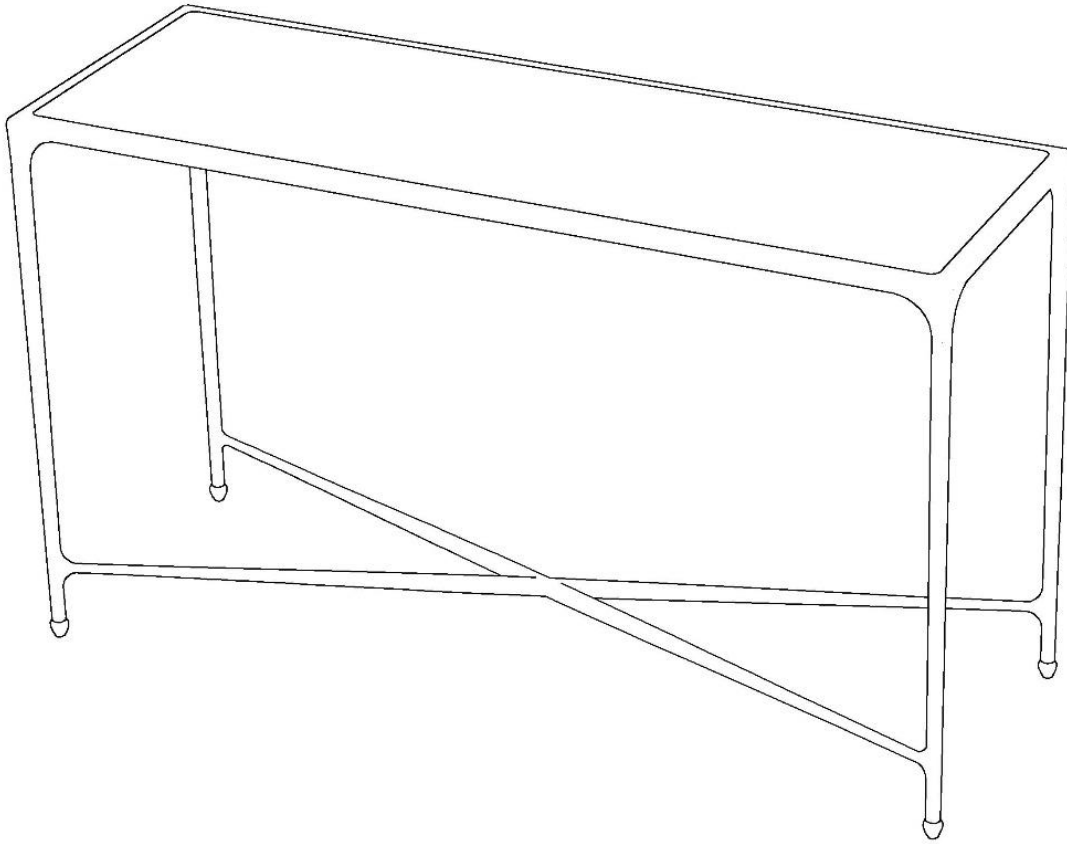
- * Do not dispose of any packaging or contents of the shipping carton until assembly is completed, to avoid any accidentally discarding small parts or hardware.
- * For safety and ease of assembly, installation is recommended with the help of four people.
- * Keep the parts on a carpet/ bubble wrap/ soft cloth while assembling to avoid scratches.
- * Kindly keep any sharp surfaces or objects away from the assembly area such that they do not scratch or damage the product.
- * Assemble in a clean area.
- * Kindly use gloves while assembling.

STEP 1:- Unpack the glass top from the box.

STEP 2:- Carefully lift the glass and place it inside frame of the table.



STEP 3:- Forged Tras Console is ready to use.



NOTE: Sage Living will not cover any damages that occur during installation